

Name, Surname :  
 Number :  
 Course Code :  
 Course Name :  
 Exam :       Quiz                       Midterm                       Final  
 Date :

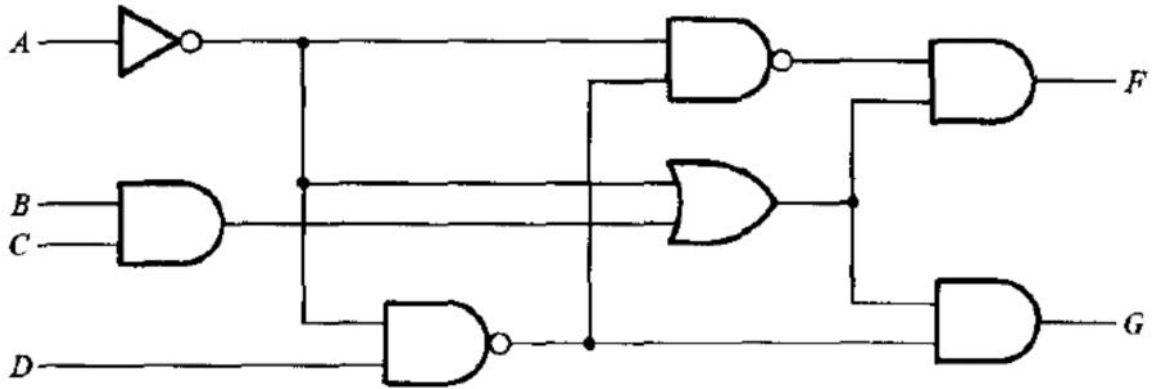
Please make sure to write your name and student number on each paper that you have used

Question Number	1	2	3	4	5	Total
Mark						

Note: Exam duration is 90 minutes only.

### Questions

- 1- Determine the Boolean function for output F,G as a functions of four input A,B,C,D in figure below



- 2- Design a combinational circuits that adds **one to a 4 bit binary** number,  $A_3, A_2, A_1, A_0$ . For example, if the input of the circuit is,  $A_3, A_2, A_1, A_0 = 1101$ , the output is  $1101 + 1 = 1110$
- 3- Simplify the boolean function,  $F(a,b,c,d) = \sum(1,3,7,11,15)$ , **don't care** conditions  $d(a,b,c,d) = \sum(0,2,5)$
- 4-  $F(a,b,c) = \sum(2,5,6,7)$  design the circuit with 4x1 MUX.
- 5- Design a Mod 9 asynchronous counter with using JK flip-flops.

Yard.Doç.Dr. Oğuz ATA